

IDB452-DC-EH33AL7-066-G4D - GSE/CB1/A/P

Application	Product Type	Calculation Date
HFC Direct Expansion	Arctigo IDB (2022 version)	6/3/22
Duty Mode	Label	
RATING	2x Lettuce	



General ^{(5), (13), (14), (15)}

Calculated Capacity [kW]	19.58	Sensible Heat Ratio	0.69
Temperature Type	DEW		

Thermal Data

Air On Temperature [°C]	2.0	Fluid	R407C
Air Off Temperature [°C]	-2.5	Evaporating Temperature [°C]	-5.0
Air On Relative Humidity [%]	85.0	DT1 (AirOnTemp-EvapTemp)	7.0
Air Off Relative Humidity [%]	96.0	DTmlg [Δ°C]	4.7
Condensate [kg/h]	8.5	Ref Temperature Liquid [°C]	30.0

Fan Data

Fan Type	AC	Air Flow [m ³ /h]	8389
Number of fans	2	Air Throw [m]	17
Fan Diameter [mm]	450	Air Velocity [m/s]	2.4
Rotation Speed [rpm]	1250	Tot. Nom. Power [W]	680
Sound Pressure Level [dB(A)] ⁽¹⁾	59	Tot. Nom. Current [A] ⁽³⁾	1.2
Sound Power Level [dB(A)]	82	Full Load Current [A]	1.5
Min Work. Temp. [°C]	-40.0	Voltage	400V
Max Work. Temp. [°C]	60.0	Phase	Three
ErP 2015	Yes	Frequency [Hz]	50
External Pressure [Pa]	0	Connection	D
Operating power consumption [W]	600	Fan Operating Current [A]	0.9

Coil Data

Tube Material	Copper	Fin Material	Aluminium
Fin Spacing [mm]	7.0	Number Of Circuits	6
Surface [m ²]	111.0	Internal Volume [l]	30.0
Connections Size (In-Out)	16mm - 28mm	Connection Side	Same
Design Pressure [bar]	33	Tube Pattern	Square
Distributor Diameter [mm]	6		

Casing&Frame

Casing Material	Galvanized Steel Epoxy Coated	Frame Material	Standard
-----------------	-------------------------------	----------------	----------

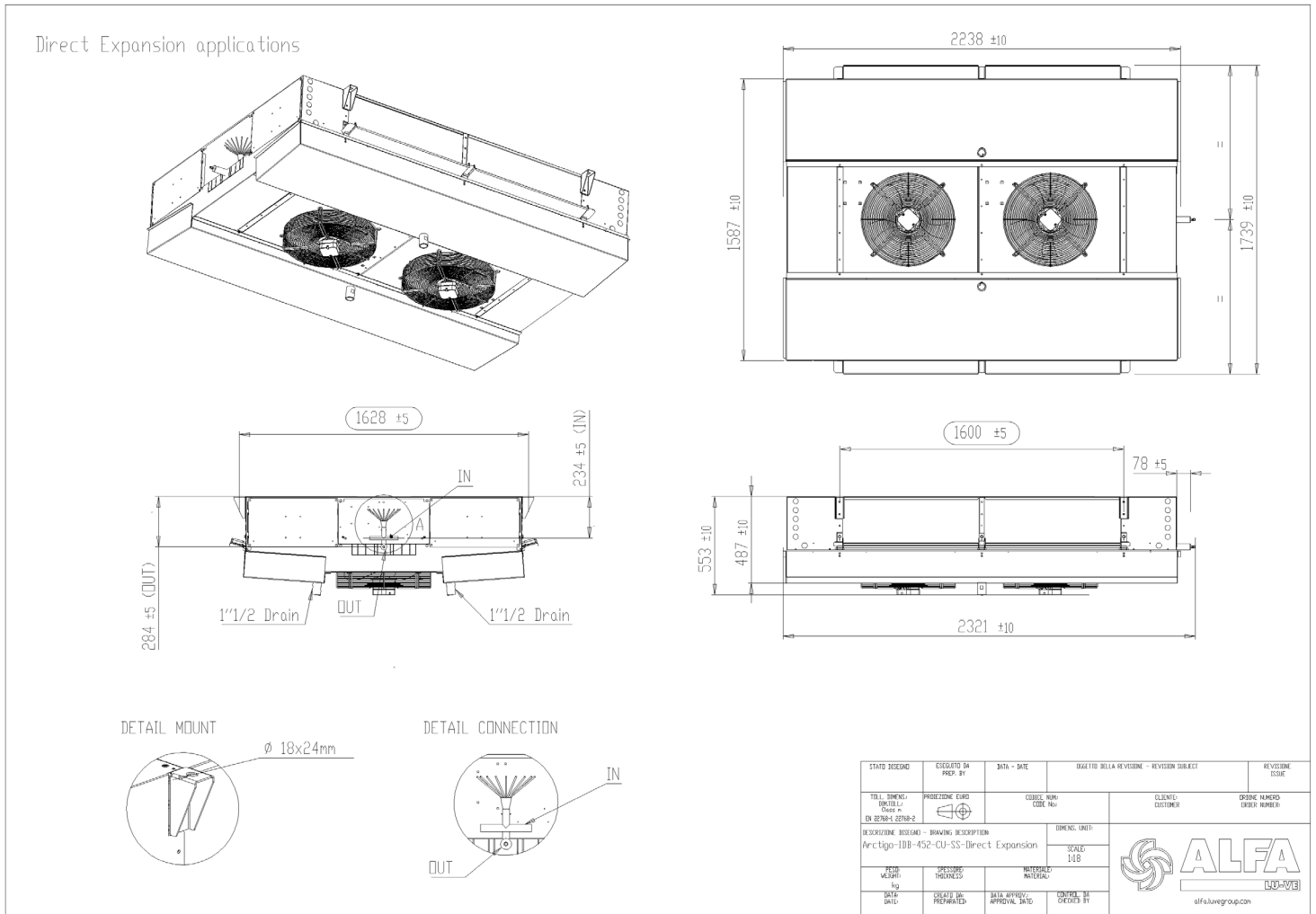
Dimensions ⁽²⁾

Length [mm]	2321	Depth [mm]	1628
Height [mm]	487	Shipping Volume [m ³]	3
Unit Weight [kg]	198		

The certified performances and conditions in this software are in line with performances and conditions published on EUROVENT website. Those performances can be verified in www.eurovent-certification.com. The EUROVENT certification refers to the unit in standard configuration, additional options may impact on declared reference performance.

HSP

0.1.1.13



The certified performances and conditions in this software are in line with performances and conditions published on EUROVENT website. Those performances can be verified in www.eurovent-certification.com. The EUROVENT certification refers to the unit in standard configuration, additional options may impact on declared reference performance.